

GS EVO GALV 25S4 1150X525

Galvanised hand pallet truck (2.500 kg)



HYDRAULIC UNIT

Resistant and reliable one piece cast iron pump with GEOMET® surface coating treatment to prevent rust pitting and corrosion damages. Designed with extreme care of details in order to have superior characteristics and features, it includes:

- **Monolithic design:** resistant and reliable one-piece housing to protect all components avoiding any accidental damages. Pump housing is processed with CNC machines to achieve high precision tolerances and high accuracy.
- **Chromed piston rod and oil seal:** in order to avoid rust and prevent oil leakage during the use.
- **Maximum pressure valve:** safety device that protects the transpallet against overloads.
- **PROPORTIONAL LOWERING VALVE:** lowering speed can be proportionally controlled according to the lever position on the tiller. Perfect working tool to carry fragile and delicate loads like crystal, glass and ceramics.

EASY TO MOUNT

Tiller easy to assemble with a fast mounting system. Robust tiller connection with two full welded joints that assure superior sturdiness in the toughest application.



Descripción

1.1 Fabricante			LIFTER
1.3 Grupo tracción			Manual
1.4 Conducción			Acompañante
1.5 Capacidad carga	Q	Kg	2500
1.6 Centro gravedad	c	mm	600
1.8 Distancia de la carga	x	mm	932
1.9 Distancia entre ejes	y	mm	1192

Pesos

2.1 Peso		Kg	63
2.2 Carga sobre ejes con carga, atras		Kg	1825
2.2 Carga sobre ejes con carga, delante		Kg	738
2.3 Carga sobre ejes sin carga, atras		Kg	21
2.3 Carga sobre ejes sin carga, delante		Kg	42

Chasis/Ruedas

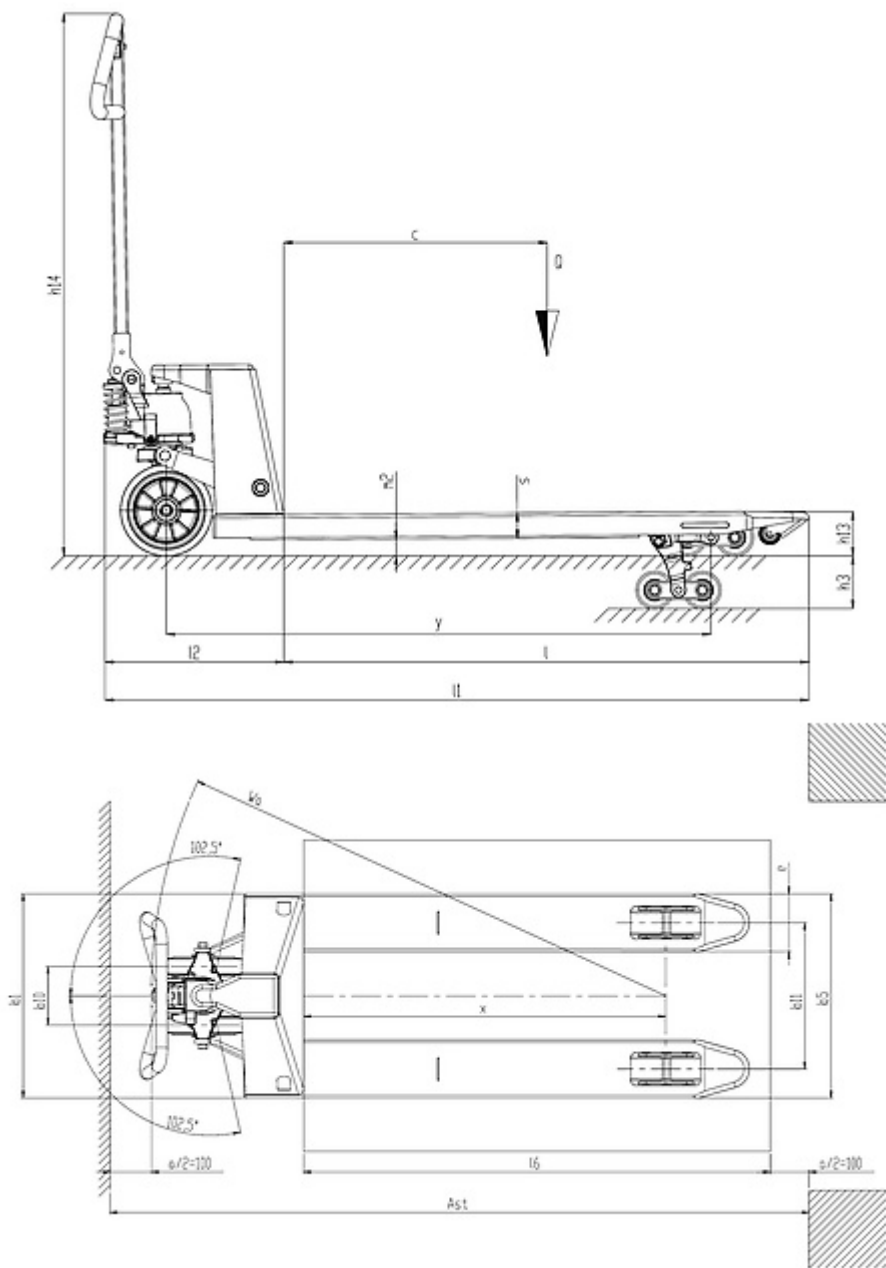
3.1 Ruedas delanteras			NYLON
3.1 Ruedas traseras			NYLON
3.2 Dimensiones ruedas delanteras - Diametro		mm	200
3.2 Dimensiones ruedas delanteras - Ancha		mm	50
3.3 Dimensiones ruedas traseras - Diametro		mm	82
3.3 Dimensiones ruedas traseras - Ancha		mm	60
3.5 Dimensiones ruedas traseras - Q.ty (X=motriz)		nr	4
3.5 Rear balancing axle			No
3.6 Vía delantera	b10	mm	155
3.7 Vía trasera	b11	mm	375

Dimensiones

4.4 Elevación	h3	mm	115
4.9 Altura del timón max	h14	mm	1185
4.9 Altura del timón min	h14	mm	710
4.15 Altura horquillas bajadas	h13	mm	85
4.19 Longitud total	l1	mm	1550
4.20 Longitud de timón a horquillas	l2	mm	400
4.21 Ancho total	b1	mm	525
4.22 Dimensiones horquillas	s	mm	55
4.22 Dimensiones horquillas	e	mm	150
4.22 Dimensiones horquillas	l	mm	1150
4.25 Ancho horquillas	b5	mm	525
4.32 Altura libre inferior, con carga, al centro entre ejes	m2	mm	30
4.34 Pasillo de trabajo para palet 800x1200 longit.	Ast	mm	2048
4.35 Radio de giro	Wa	mm	1367

Prestaciones

5.2 Velocidad de elevación con carga	strokes		12
5.2 Velocidad de elevación sin carga	strokes		12



The information is aligned with the Data file at the time of download. Printed on 13/11/2020 (ID 12774)

©2020 | PR INDUSTRIAL s.r.l. | All rights reserved | Image shown may not reflect actual package. Specifications subject to change without notice

